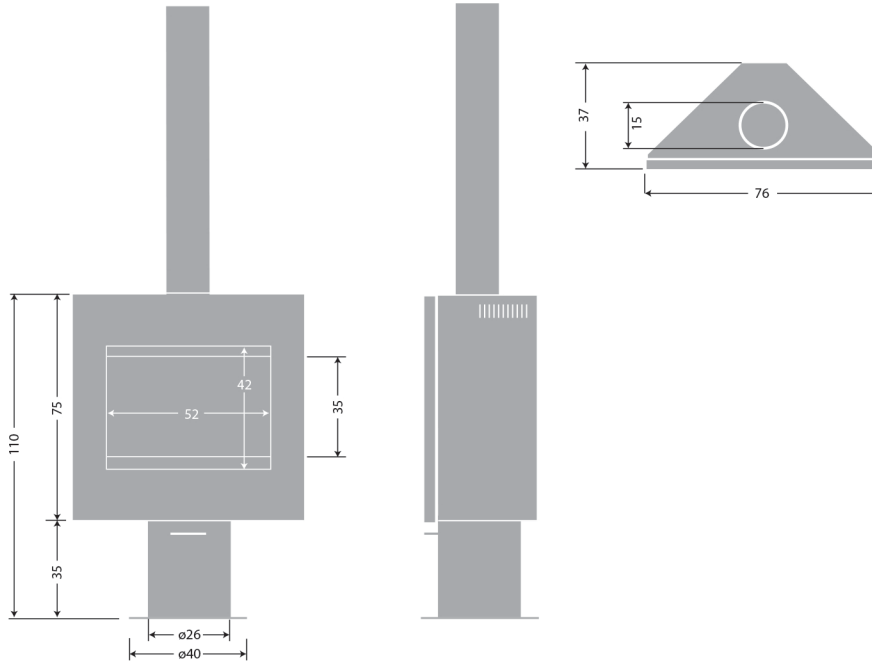


DIA BASE



LEENDERS

SINCE 1979



Ø	KG	≤ kWh	η	mg/Nm ³	EN 13240	kWh, g/s, CO, mbar
15	120	2.5-8	> 80%	< 40	EZ/09/2730-2	5.4, 5.3, 0.092, 0.01