



LEENDERS

SINCE 1979

MATS

DATASHEET

EN

NL

DE

FR

TECHNICAL DOCUMENTATION FOR SOLID FUEL LOCAL SPACE HEATERS

| | | | |
|------------------------------|---|---|--|
| Manufacturer | Harrie Leenders Haardkachels B.V., Industrieweg 25, 5688 DP Oirschot, The Netherlands | General description | Freestanding solid fuel local space heater without hot water supply |
| Model identifier | MATS | Specific precautions for assembly, installation or maintenance | Precautions for assembly, installation and maintenance are described in: - Installation instructions - Instructions for use & maintenance |
| Equivalent models | - | Calculations | $EEL = (\mu S_{on} \cdot BLF) - 10\% + F(2) + F(3) - F(4) - F(5)$ $\mu S_{on} = \mu_{th,nom}$ $\eta_s = \eta_{nom} - 10\% + F(2) + F(3) - F(4) - F(5)$ |
| Test report nr. | EZKA/14/0145-3 | Testing conditions | Tested according: EN13240:2001/A2:2004 CEN/TS 15883:2009/A1 |
| Harmonized European standard | EN13240:2001/A2:2004 | | |
| Indirect heating function | No | | |
| Direct heat output (kW) | 8,0 | | |
| Indirect heat output (kW) | - | | |


| Fuel | Preferred fuel (only one) | Other suitable fuel(s) | Emissions at nominal heat output [mg/Nm ³ (13 % O ₂) | | | | Emissions at minimum heat output [mg/Nm ³ (13 % O ₂) | | | |
|--|---------------------------|------------------------|---|-----|------|-----|---|-----|-----|-----|
| | | | PM | OGC | CO | NOx | PM | OGC | CO | NOx |
| Wood logs, moisture content < 25 % | Yes | No | 36 | 68 | 1129 | 101 | N/A | N/A | N/A | N/A |
| Compressed wood, moisture content < 12 % | No | Yes | 36 | 68 | 1129 | 101 | N/A | N/A | N/A | N/A |
| Other woody biomass | No | No | | | | | | | | |
| Non-woody biomass | No | No | | | | | | | | |
| Anthracite and dry steam coal | No | No | | | | | | | | |
| Hard coke | No | No | | | | | | | | |
| Low temperature coke | No | No | | | | | | | | |
| Bituminous coal | No | No | | | | | | | | |
| Lignite briquettes | No | No | | | | | | | | |
| Peat briquettes | No | No | | | | | | | | |
| Blended fossil fuel briquettes | No | No | | | | | | | | |
| Other fossil fuel | No | No | | | | | | | | |
| Blended biomass and fossil fuel briquettes | No | No | | | | | | | | |
| Other blend of biomass and solid fuel | No | No | | | | | | | | |

Characteristics when operating with the preferred fuel

| | |
|--|-------|
| Seasonal space heating efficiency η_s [%] | 71,4 |
| Energy efficiency index (EEI) | 107,6 |

| | Symbol | Value | Unit | | |
|---|-----------------|-------|------|--|----|
| Heat output | | | | Type of heat output/room temperature control (select one) | |
| Nominal heat output | P_{nom} | 8,0 | kW | Single-stage heat output, no room temperature control | |
| Minimum heat output (indicative) | P_{min} | N/A | kW | Two or more manual stages, no room temperature control | |
| Useful efficiency (NCV as received) | | | | With mechanic thermostat room temperature control | |
| Useful efficiency at nominal heat output | $\eta_{th,nom}$ | 80,4 | % | With electronic room temperature control | |
| Useful efficiency at minimum heat output (indicative) | $\eta_{th,min}$ | N/A | % | With electronic room temperature control plus day timer | |
| Auxiliary power consumption | | | | With electronic room temperature control plus week timer | |
| At nominal heat output | e_{lmax} | N/A | kW | Other control options (multiple selection possible) | |
| At minimum heat output | e_{lmin} | N/A | kW | Room temperature control, with presence detection | No |
| In standby mode | e_{lSB} | N/A | kW | Room temperature control, with open window detection | No |
| Permanent pilot flame power requirement | | | | With distance control option | No |
| Pilot flame power requirement (if applicable) | P_{pilot} | N/A | kW | | |



| | | |
|---|-----|---|
| Power range: min./ max per hour Vermogensbereik; min./max. per uur Leistungsbereich; min.max. pro Stunde Plage d'utilisation, puissance min./max. par heure | [1] | 3-12kWh |
| Fuel requirement per hour, min./max. Navul hoeveelheid per uur, min./max. Holzaufgabemenge pro Stune, min./max. Charge de bois par heure, min./max. | [2] | 1-3 kg |
| Weight Gewicht Gewicht Poids | | 210 kg |
| Efficiency Rendement Wirkungsgrad Rendement | | 80.4% |
| Energy Efficiency Class Energie Efficiëntie Klasse Energie Effizienz Klasse Classe d'efficacité énergétique | A+ |  |
| Energy Efficiency Index Energie Efficiëntie Index Energie Effizienz Index Index d'efficacité énergétique | | 108,6 |
| Dust Stof Staub Poussieres fines | | 36 mg/Nm3 |
| CO | | 0.09 % |
| Information for chimney calculation Informatie voor schoorsteenberekening Information für den Schornsteinfegermeister Information pour le calcul de conduit et de tirage de cheminée | | 8.0 kW 6.7 g/s 274 °C 0.09 % CO 0.123 mbar |
| EN 13240 Art.15a B-VG VKF BlmschV. Stufe 2 Flamme Rucola Smoke Control | | EZKA/14/0145-1 <input checked="" type="checkbox"/> <input checked="" type="checkbox"/> <input checked="" type="checkbox"/> <input checked="" type="checkbox"/> <input type="checkbox"/> See Mats smoke control |

[1]

The minimum power is required to keep the stove at operating temperature.

Het minimale vermogen is nodig om de haard op bedrijfstemperatuur te houden.

Die minimale Leistung ist notwendig, damit die Betriebstemperatur des Kaminofens aufrechterhalten bleibt.

Une puissance minimum est nécessaire pour maintenir le poêle à une bonne température de fonctionnement.

[2]

At 80% efficiency, 1kg of wood with 15% rest moist, gives of approx. 3,5kW energy.

Bij een rendement van 80%, geeft 1kg stookhout met 15% restvocht, ongeveer 3,5kW energie.

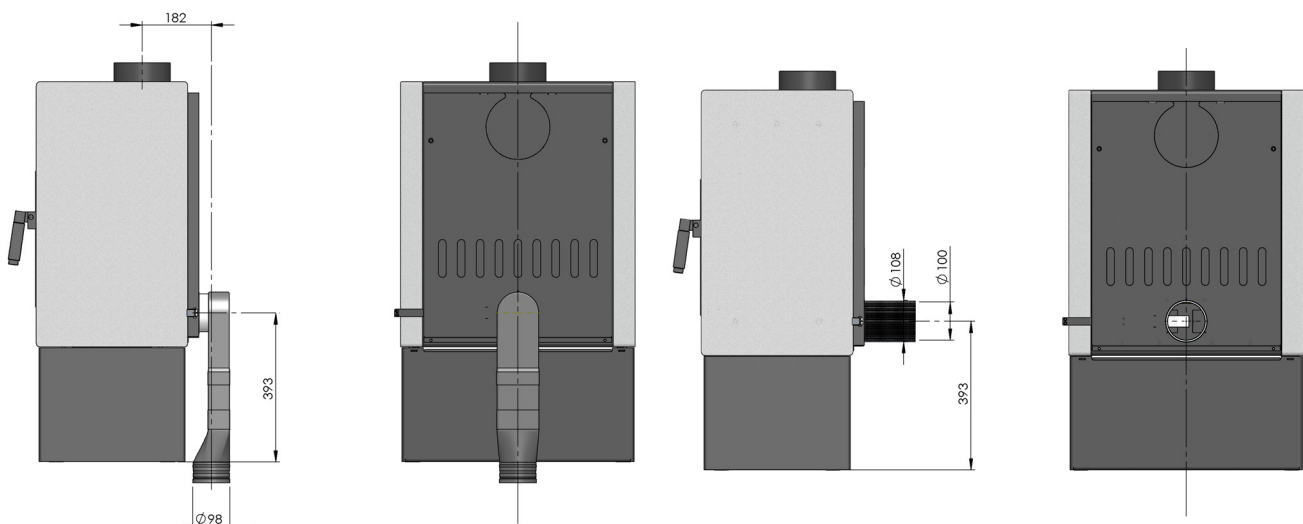
Bei einem Wirkungsgrad von 80%, ergibt 1 kg Holz mit 15% Restfeuchtigkeit etwa 3,5kW Energie.

Avec un rendement de 80%, 1kg de bois avec un taux d'humidité de 15% délivre environ 3,5 kW de énergie.



| | |
|---|---|
| Color variations body Kleurvariaties body Farbvariationen Body Les variations de couleur body | black/antracite zwart/antraciet schwarzanthrazit noir/anthracite |
| Color side tiles Kleur zijstenen Farb Seitensteine Couleur réfractaires latérales | black/anthracite zwart/antraciet schwarz/anthrazit noires/anthracites |
| Flue Diameter Diameter afvoer Anschlussdurchmesser Diamètre de conduit | Top + rear Ø150mm Boven + achter Ø150mm Oben + hinten Ø150mm Dessus + arrière Ø150mm |
| Rotatable top flue Draaibaar bovenafvoer Drehbar mit Anschluss oben Sortie dessus pivotable | - |
| Rotatable rear flue Draaibaar achterafvoer Drehbar mit Anschluss hinten Sortie arriere pivotable | - |
| Plus heat storage Plus stenen set Plus Speicherset Ceramiques d'accumultion | 12h -> 40 °C |
| Fresh air supply Verse luchtvoorziening Frischlufztzufuhr Prise d'air | in base: to wall or floor in voet: naar wand of vloer im Fuß: zum Wand oder Boden à pied: par le mur et le sol |
| Possibility to level foot Voet waterpas te stellen Fuss mit Wasserwaage ausrichten Mise à niveau du pied | <input checked="" type="checkbox"/> |

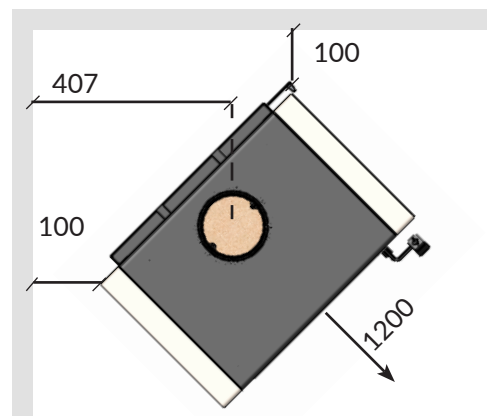
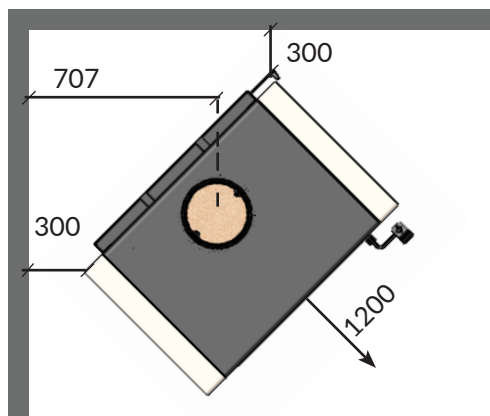
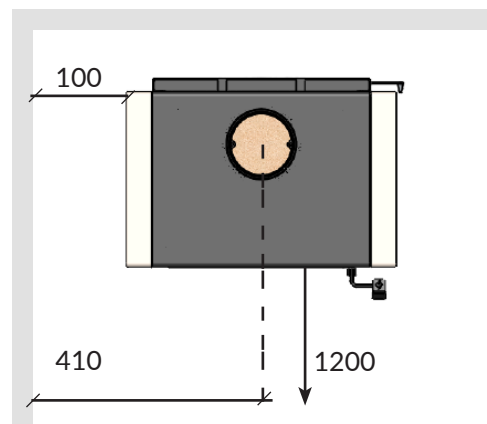
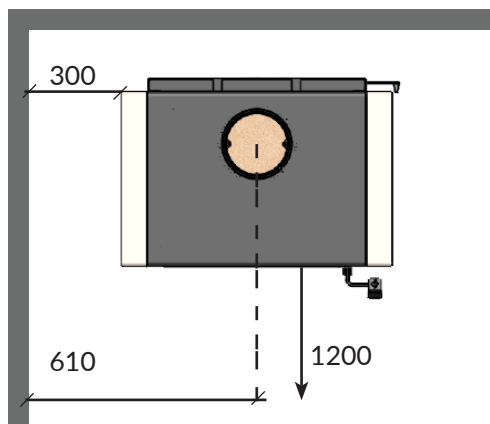
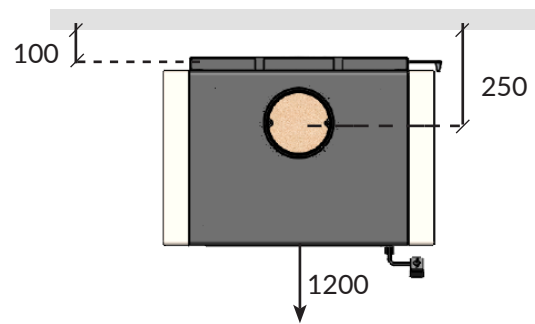
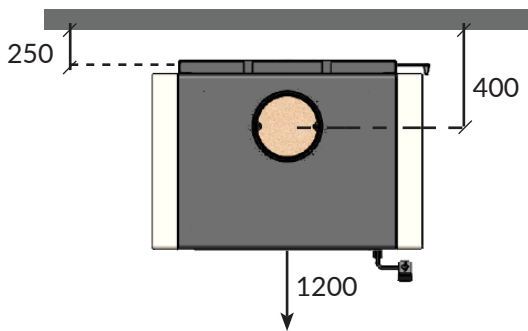
Fresh air supply/verse luchtvoorziening/Frischlufztzufuhr/prise d' air

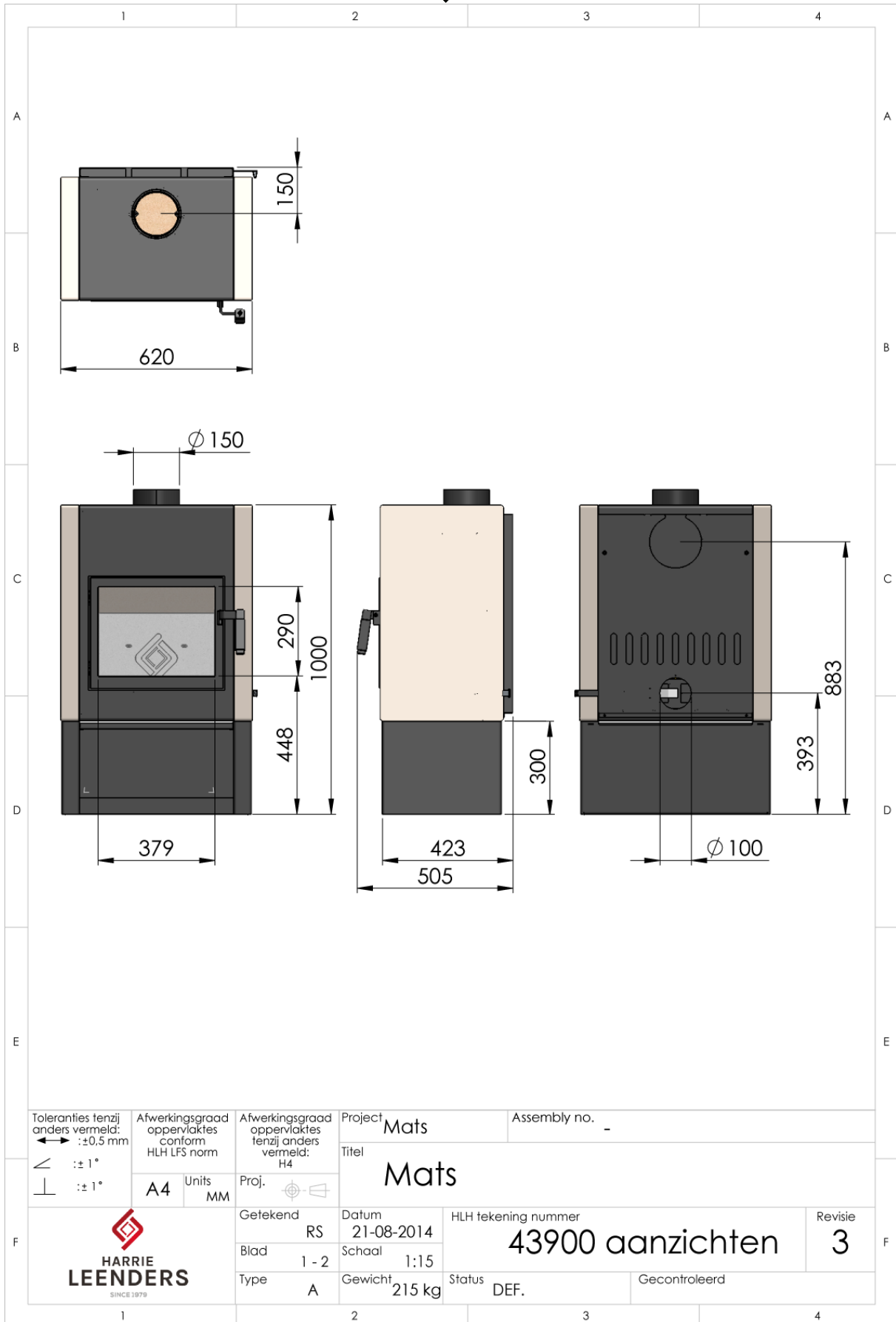




flammable
brandbaar
brennbar
inflammable

nonflammable
onbrandbaar
nicht brennbar
inflammable





| | | | | | | | | |
|--|--|---|---------|------------|---------------------|------------------|---------|---|
| Toleranties tenzij anders vermeld: \longleftrightarrow : $\pm 0,5$ mm \sphericalangle : $\pm 1^\circ$ \perp : $\pm 1^\circ$ | Afwerkingsgraad oppervlaktes conform HLH LFS norm A4 Units MM | Afwerkingsgraad oppervlaktes tenzij anders vermeld: H4 Proj. | Project | Mats | | Assembly no. | - | |
| | | | Titel | | Mats | | | |
| HARRIE LEENDERS SINCE 1979 | Getekend | RS | Datum | 21-08-2014 | HLH tekening nummer | 43900 aanzichten | | |
| | Blad | 1 - 2 | Schaal | 1:15 | Status | DEF. | Revisie | 3 |
| | Type | A | Gewicht | 215 kg | Gecontroleerd | | | |