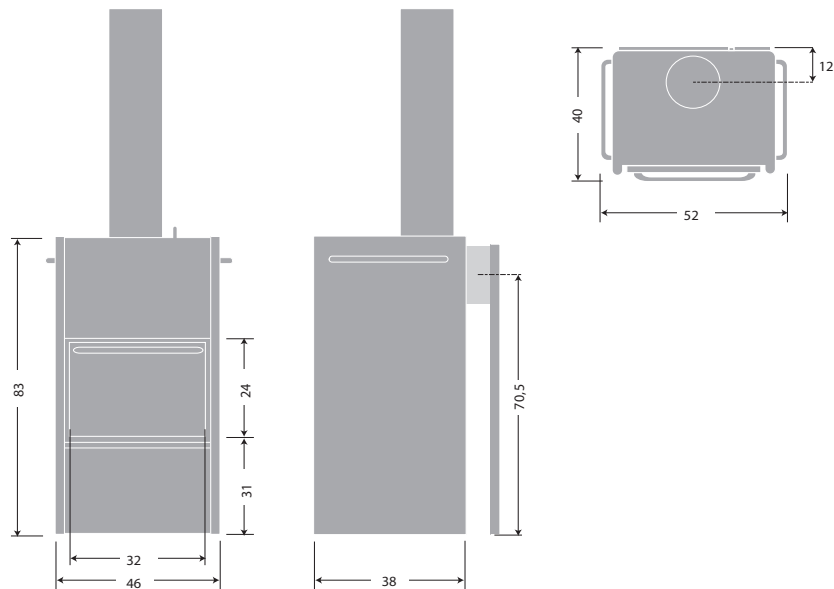
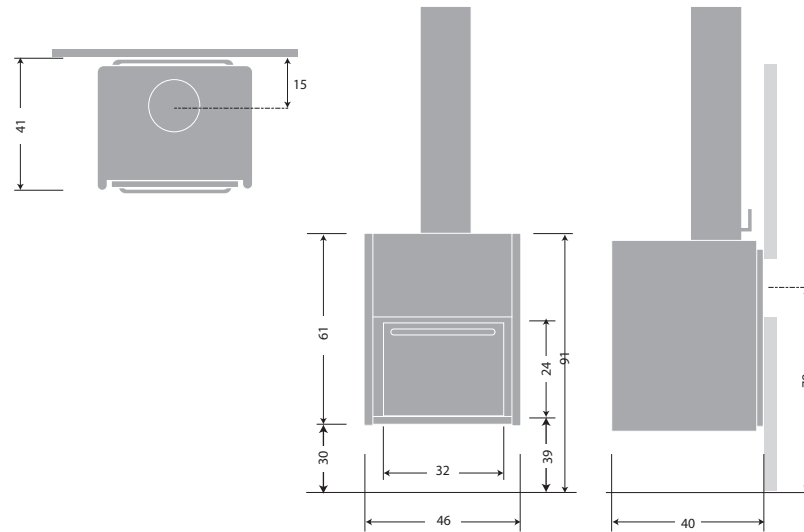


HL2



Ø	KG	≤ kWh	η	mg/Nm ³	EN 13240	kWh, g/s, CO, mbar
15	90	2.5-10	> 80%	< 40	50970/01	6, 5.4, 0.4, 0.01

HL2 WALL



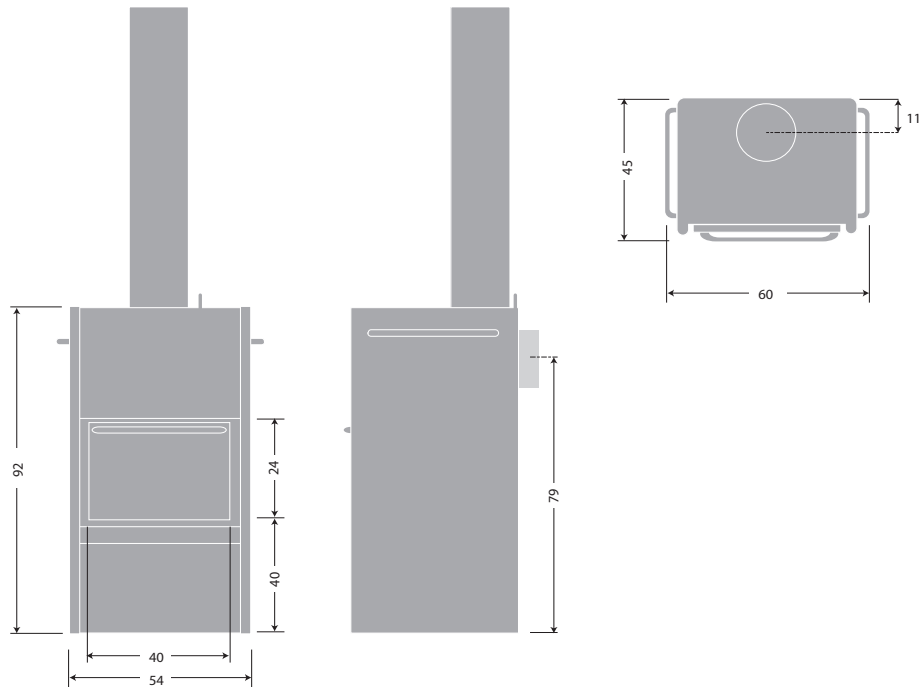
Ø	KG	≤ kWh	η	mg/Nm ³	EN 13240	kWh, g/s, CO, mbar
15	80	2.5-10	> 80%	< 40	50970/01	6, 5.4, 0.4, 0.01

HL4



HARRIE
LEENDERS

SINCE 1979



Ø	KG	≤ kWh	η	mg/Nm ³	EN 13240	kWh, g/s, CO, mbar
15	130	4-15	> 80%	< 40	50970/02	8, 5.7, 0.33, 0.01